

Download  
IIT-JEE  
Previous Year  
Paper - II  
“2011”  
(Physics)

**PHYSICS PAPER-II**  
**PART II-PHYSICS**  
**SECTION -I (TOTAL MARKS: 24)**  
**(SINGLE CORRECT CHOICE TYPE)**

This Section contains **8 multiple choice questions**. Each question has four choices (a),(b),(c) and (d) out of which **ONLY ONE** is correct.

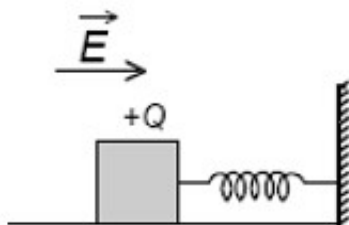
21. The density of a solid ball is to be determined in an experiment. The diameter of the ball is measured with a screw gauge, whose pitch is 0.5mm and there are 50 divisions on the circular scale. The reading on the main scale is 2.5mm and that on the circular scale is 20 divisions. If the measured mass of the ball has relative error of 2%, the relative percentage error in the density is  
 (a) 0.9%                      (b) 2.4%                      (c) 3.1%                      (d) 4.2%

Ans : (c)       $LC = (0.5/50) = 10^{-2} \text{ mm}$   
 Reading =  $2.5 + 20 \times 10^{-2} = 2.7 \text{ mm}$   

$$\rho = \frac{m}{\frac{4}{3}\pi\left(\frac{d}{2}\right)^3} \Rightarrow (\Delta\rho/\rho) = [(\Delta m/m) + 3 \cdot (\Delta d/d)]$$
  

$$= [2 + 3 \times (10^{-2}/2.7) \times 100] = 3.1\%$$

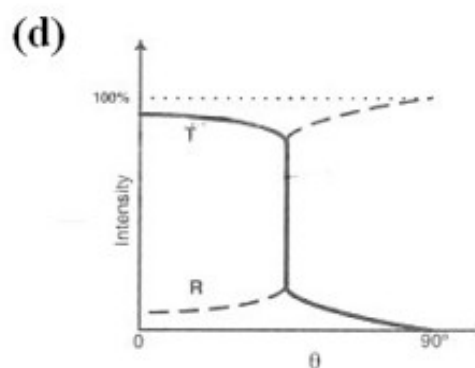
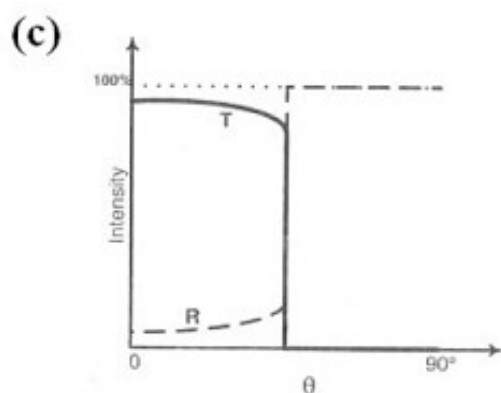
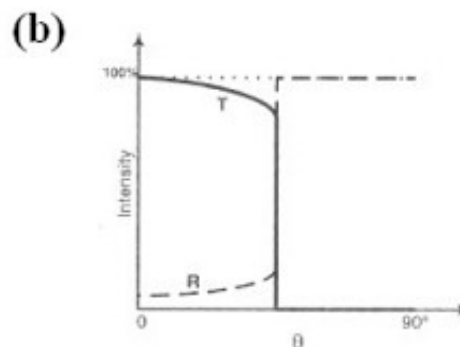
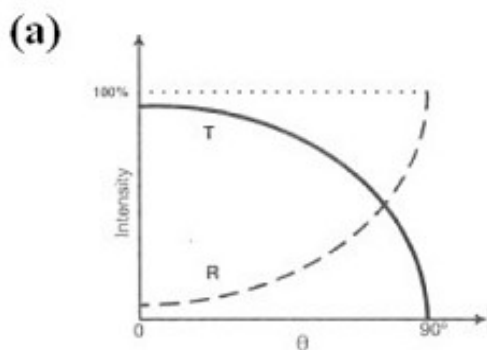
22. A wooden block performs SHM on a frictionless surface with frequency,  $\nu_0$ . The block carries a charge +Q on its surface. If now a uniform electric field  $\vec{E}$  is switched-on as shown, the SHM of the block will be:



- (a) of the same frequency and with shifted mean position  
 (b) of the same frequency and with the same mean position  
 (c) of changed frequency and with shifted mean position  
 (d) of changed frequency and with the same mean position.

Ans : (a)      Restoring force remains same, so frequency does not change.  
 Only mean position shifted rightward by  $(EQ/K)$

23. A light ray travelling in glass medium is incident on glass-air interface at an angle of incidence  $\theta$ . The reflected (R) and transmitted (T) intensities, both as function of  $\theta$ , are plotted. The correct sketch is



- Ans: (c) for  $0 < \theta < \theta_c$   $T > R$   
 &  $\theta \geq \theta_c$   $T = 0, R = 100\%$   
 Also  $\theta \rightarrow 0$   $T < 100\%, R > 0\%$

24. A satellite is moving with a constant speed 'V' in a circular orbit about the earth. An object of mass 'm' is ejected from the satellite such that it just escapes from the gravitational pull of the earth. At the time of its ejection, the kinetic energy of the object is

- (a)  $(1/2)mV^2$  (b)  $mV^2$  (c)  $(3/2)mV^2$  (d)  $2mV^2$

Ans: (b)  $(mV^2 / r) = (GmM_e / r^2) \Rightarrow r = (GM_e / V^2)$

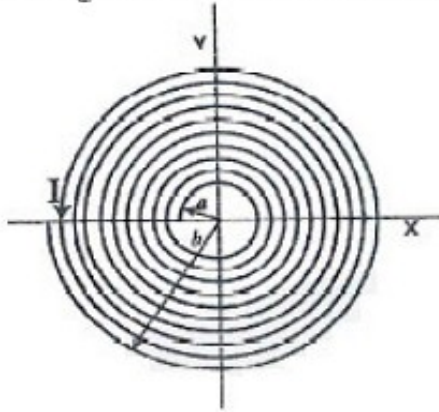
Now using energy conservation for particle

$$\left[ \frac{1}{2} m u^2 - (G M_e m / r) \right] = 0$$

$$\Rightarrow \frac{1}{2} m u^2 - m \frac{G M_e}{\left( \frac{G M_e}{V^2} \right)} = 0$$

$$\Rightarrow \frac{1}{2} m u^2 = m V^2 = \text{K.E}$$

25. A long insulated copper wire is closely wound as a spiral of 'N' turns. The spiral has inner radius 'a' and out radius 'b'. The spiral lies in the X-Y plane and a steady current 'I' flows through the wire. The Z-component of the magnetic field at the centre of the spiral is:



- (a)  $\frac{\mu_0 NI}{2(b-a)} \ln\left(\frac{b}{a}\right)$  (b)  $\frac{\mu_0 NI}{2(b-a)} \ln\left(\frac{b+a}{b-a}\right)$   
 (c)  $\frac{\mu_0 NI}{2b} \ln\left(\frac{b}{a}\right)$  (d)  $\frac{\mu_0 NI}{2b} \ln\left(\frac{b+a}{b-a}\right)$

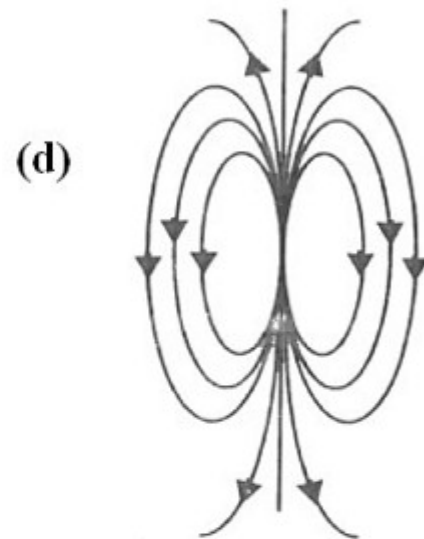
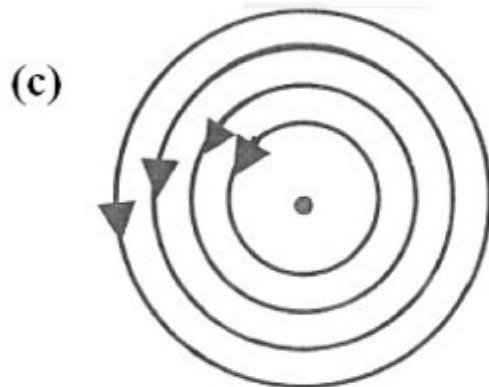
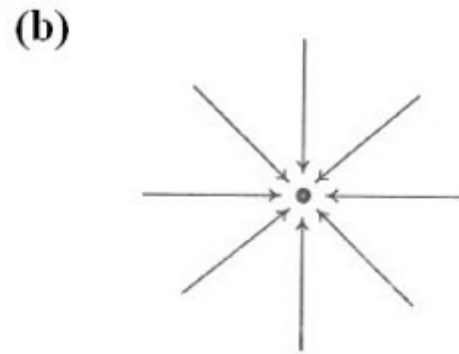
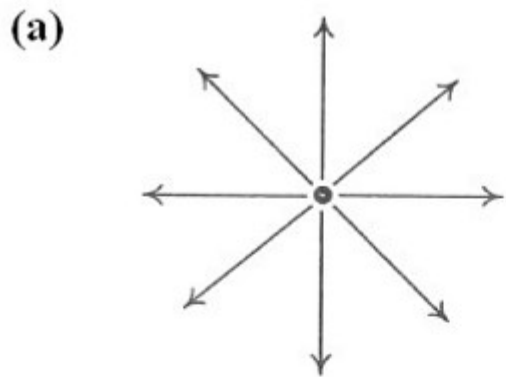
Ans: (a) No. of turns per unit length =  $[NI(b-a)]$   
 No. of turns in thickness  $dx = [NI(b-a)] dx$   
 Magnetic field  $B = \int dB = \int_a^b \frac{\mu_0 NI}{2(b-a)x} dx$   
 $= [\mu_0 NI / 2(b-a)] \ln(b/a)$

26. A point mass is subjected to two simultaneous sinusoidal displacement in x-direction,  $x_1(t) = A \sin \omega t$  and  $x_2(t) = A \sin[\omega t + (2\pi/3)]$ . Adding a third sinusoidal displacement  $x_3(t) = B \sin(\omega t + \phi)$  brings the mass to a complete rest. The values of B and  $\phi$  are

- (a)  $\sqrt{2} A, (3\pi/4)$  (b)  $A, (4\pi/3)$   
 (c)  $\sqrt{3} A, (5\pi/6)$  (d)  $A, (\pi/3)$

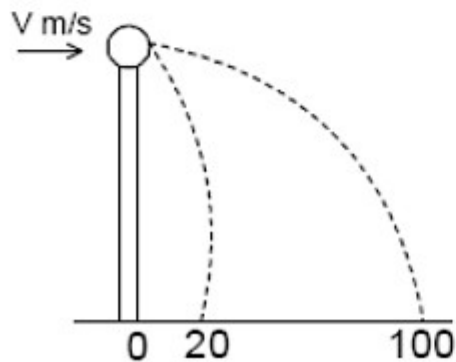
Ans: (b)  $(x_1 + x_2) = A \sin \omega t + A \sin(\omega t + 2\pi/3)$   
 $= A \left[ (1/2) \sin \omega t + (\sqrt{3}/2) \cos \omega t \right] = A \sin(\omega t + (\pi/3))$   
 Now  $x_1 + x_2 + x_3 = 0$   
 $\Rightarrow A \sin[\omega t + (\pi/3)] = -B \sin(\omega t + \phi)$   
 $\Rightarrow B = A \quad \& \quad \phi = 4(\pi/3)$

27. Which of the field patterns given below is valid for electric field as well as for magnetic field?



Ans : (c) Electric field produced by the time varying magnetic field is circular.  
For a long straight wire, the magnetic field lines are circles with their centres on the wire.

28. A ball of mass 0.2kg rests on a vertical post of height 5m. A bullet of mass 0.01kg, travelling with a velocity  $V \text{ms}^{-1}$  in a horizontal direction, hits the centre of the ball. After the collision, the ball and bullet travel independently. The ball hits the ground at a distance of 20 m and the bullet at a distance of 100m from the foot of the post. The initial velocity  $V$  of the bullet is :



- (a)  $250 \text{ms}^{-1}$       (b)  $250\sqrt{2} \text{ms}^{-1}$       (c)  $400 \text{ms}^{-1}$       (d)  $500 \text{ms}^{-1}$



**SECTION-II (TOTAL MARKS: 16)**  
**(MULTIPLE CORRECT ANSWER TYPE)**

This section contains 4 multiple choice questions. Each question has four choices (a), (b), (c) and (d) out of which **ONE** or **MORE** may be correct.

29. Which of the following statement(s) is/are correct?
- (a) If the electric field due to a point charge varies as  $r^{-2.5}$  instead of  $r^{-2}$ , then the Gauss law will still be valid
- (b) The Gauss law can be used to calculate the field distribution around an electric dipole
- (c) If the electric field between two point charges is zero somewhere, then the sign of the two charges is the same.
- (d) The work done by the external force in moving a unit positive charge from point A at potential  $V_A$  to point B at potential  $V_B$  is  $(V_B - V_A)$

Ans : **(cd)** For point charge, flux for a sphere if point charge is placed at the centre

$$= \frac{1}{4\pi\epsilon_0} \times 4\pi r^2 \quad [\text{According to question}]$$

$$\neq (q / \epsilon_0)$$

So Gauss law is not valid.

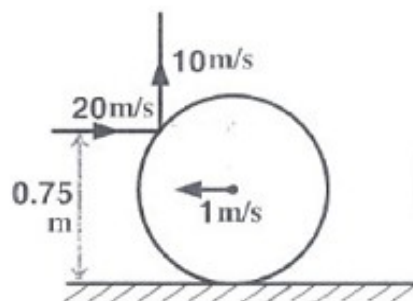
Electric field due to a dipole is not radially symmetric.

So Gauss law application does not give field distribution.

For electric field to be zero, directions of electric field must be opposite and equal in magnitude. This occurs only if sign of both the charges is same.

$$W_{A \rightarrow B}^{\text{ext. agent}} = -\frac{W_{\text{e.c. field}}}{q(=1)} = \frac{U_B - U_A}{q(=1)} = V_B - V_A$$

30. A thin ring of mass 2kg and radius 0.5m is rolling without slipping on a horizontal plane with velocity  $1\text{ms}^{-1}$ . A small ball of mass 0.1kg moving with velocity  $20\text{ms}^{-1}$  in the opposite direction, hits the ring at a height of 0.75m and goes vertically up with velocity  $10\text{ms}^{-1}$ . Immediately after the collision.



- (a) the ring has pure rotation about its stationary CM
- (b) the ring comes to a complete stop
- (c) friction between the ring and the ground is to the left
- (d) there is no friction between the ring and the ground

Ans: (ac) Applying CLM horizontal direction:  $[(0.1 \times 20) - (2 \times 1)] = 2V_{\text{CoM ring}}$   
 $\Rightarrow V_{\text{CoM}} = 0$

Using CAM about contact point:

$$L_{\text{particle initially}} (\curvearrowright) + L_{\text{ring initially}} (\curvearrowleft) \\ = L_{\text{ring finally}} + L_{\text{particle finally}} (\curvearrowright)$$

From given data, initial angular momentum is anticlockwise.

$\therefore L_{\text{ring finally}}$  is anticlockwise

Hence friction on the ring acts leftward to oppose rotation.

31. A series R-C circuit is connected to AC voltage source. Consider two cases; (a) when C is without a dielectric medium and b when C is filled with dielectric of constant 4. The current  $I_R$  of the following is/are true ?

- (a)  $I_R^A > I_R^B$                       (b)  $I_R^A < I_R^B$                       (c)  $V_C^A > V_C^B$                       (d)  $V_C^A < V_C^B$

Ans: (bc) Z for 1<sup>st</sup> case,  $Z_A = \sqrt{R^2 + \left(\frac{1}{\omega C}\right)^2}$

Z for 2<sup>nd</sup> case,  $Z_B = \sqrt{R^2 + \frac{1}{(k\omega C)^2}}$

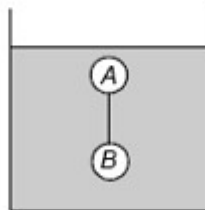
So  $Z_B < Z_A$                       So,  $I_R^B > I_R^A$

Since,  $V_{\text{source}}$  is same

$V_{\text{Resistance}}$  increases for B

$V_{\text{Capacitor}}$  decreases for B

32. Two solid spheres A and B of equal volumes but of different densities  $d_A$  and  $d_B$  are connected by a string. They are fully immersed in a fluid of density  $d_f$ . They get arranged into an equilibrium state as shown in the figure with a tension in the string. The arrangement is possible only if



- (a)  $d_A < d_f$                       (b)  $d_B > d_f$                       (c)  $d_A > d_f$                       (d)  $d_A + d_B = 2d_f$

Ans: (abd) Considering the F.B.D  
 $T = Vg(d_f - d_A)$  and  $T = Vg(d_B - d_f)$   
 For both conditions,  $T > 0$   
 $\Rightarrow d_f > d_A$  and  $d_B > d_f$   
 Equating tension,  $2d_f = d_B + d_A$

**SECTION-III (TOTAL MARKS 24)**  
**(INTEGER ANSWER TYPE)**

This section contains **6 questions**. The answer to each of the question is a **single-digit integer**, ranging from 0 to 9. The bubble corresponding to the correct answer is to be darkened in the ORS.

33. A train is moving along a straight line with a constant acceleration 'a'. A body standing in the train throws a ball forward with a speed of  $10\text{ms}^{-1}$ , at an angle of  $60^\circ$  to the horizontal. The boy has to move forward by 1.15m inside the train to catch the ball back at the initial height. The acceleration of the train, in  $\text{ms}^{-2}$  is

Ans: **5** Let u be the speed of the train at the time when by throws the ball.

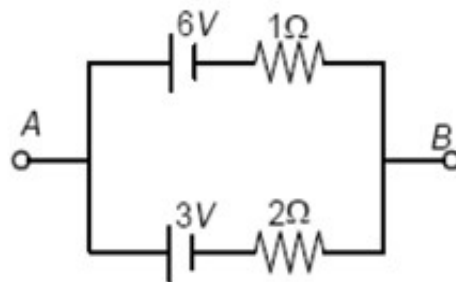
$$\text{Time of flight } t_f = \left[ \frac{2 \times 10 \sin 60^\circ}{g} \right] = \sqrt{3} \text{ sec}$$

$$S_{\text{train}} = ut_f + (1/2)at_f^2$$

$$S_{\text{ball}} = ut_f + 10 \cos 60^\circ t_f \quad S_{\text{ball}} - S_{\text{train}} = 1.15$$

$$\Rightarrow \sqrt{3}u + 5\sqrt{3} - \sqrt{3}u - (3/2)a = 1.15 \quad \Rightarrow a = 5 \text{ ms}^{-2}$$

34. Two batteries of different emfs and different internal resistances are connected as shown. The voltage across AB in volts is



Ans: **5** If V is p.d. across A & B,  $i_1$  is current through  $1\Omega$  &  $i_2$  is current through  $2\Omega$ , then

$$V = 6 + i_1 = 3 + 2i_2 \quad \dots(i)$$

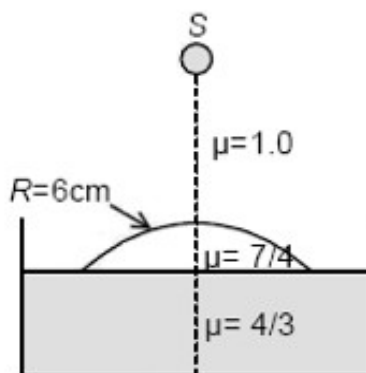
$$\Rightarrow i_1 = V - 6 \text{ \& } i_2 = [(V - 3)/2]$$

Also  $i_1 + i_2 = 0 \quad \dots(ii)$

$$\therefore V = 5V$$



35. Water (with refractive index =  $4/3$ ) in a tank is 18 cm deep. Oil of refractive index  $(7/4)$  lies on water making a convex surface of radius of curvature ' $R = 6\text{cm}$ ' as shown. Consider oil to act as thin lens. An object ' $S$ ' is placed 24 cm above water surface. The location of its image is at ' $x$ ' cm above the bottom of the tank. Then ' $x$ ' is



- Ans: 2 Refraction at oil surface  $(1/u_1) + (\mu_1/v_1) = [(\mu_1 - 1)/R]$   
 $\Rightarrow (1/24) + [(7/4)/v_1] = [((7/4) - 1)/6] \Rightarrow v_1 = 21\text{cm}$   
 Refraction at water surface:  $u_2 = -21\text{cm}$   
 $\therefore (1/-21) + [(4/3)/(7/4)](1/v_2) = 0$   
 $\Rightarrow v_2 = 16\text{ cm (from water surface)} \therefore x = 18 - 16 = 2\text{cm}$
36. A silver sphere of radius 1 cm and work function 4.7 eV is suspended from an insulating thread in free – space. It is under continuous illumination of 200 nm wavelength light. As photoelectrons are emitted, the sphere gets charged and acquires a potential. The maximum number of photoelectrons emitted from the sphere is  $A \times 10^7$  (where  $1 < A < 10$ ). The value of ' $Z$ ' is

Ans: 7  $(KE)_{\max} = E_{\text{incident}} - W = (12.42/2)\text{eV} - 4.7\text{eV} = 1.51\text{eV}$   
 & Maximum potential acquired (when maximum no. of photoelectrons emitted)  
 $V_{\max} = [K(ne)/r]$  S/unit &  $(KE)_{\max} = eV_{\max}$   
 $\Rightarrow n = (15/14.4) \times 10^7$

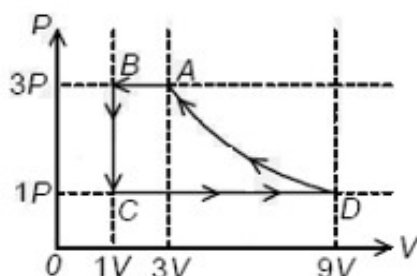
37. A series R – C combination is connected to an AC voltage of angular frequency  $\omega = 500\text{ radian s}^{-1}$ . If the impedance of the R – C circuit is  $R\sqrt{1.25}$ , the time constant (in millisecond) of the circuit is

Ans: 4  $Z^2 = R^2 + X_C^2 \Rightarrow R^2(1.25) = R^2 + [1/(\omega C)]^2$   
 $\Rightarrow R^2/4 = [1/(500C)]^2 \Rightarrow (RC)^2 = [4/(500)^2]$   
 $\Rightarrow RC = (1/250)\text{s} = 4\text{ ms}$

**SECTION – IV (TOTAL MARKS: 16)**  
**(MATRIX – MATCH TYPE)**

This section contains **2 questions**. Each question **four statements** (A, B, C and D) given in **Column I** and five statements (p, q, r, s and t) in **Column II**. Any given statement in Column I can have correct matching with **ONE** or **MORE** statement(s) given in **Column II**. For example, if for a given question, statement B matches with the statements given in q and r, then for the particular question, against statement B, darken the bubbles corresponding to q and r in the ORS.

39. One mole of a monatomic ideal gas is taken through a cycle ABCDA as shown in the P – V diagram. **Column II** gives the characteristics involved in the cycle. Match them with each of the processes given in **Column I**.



<b>Column I</b>	<b>Column II</b>
(a) Process A → B	(p) Internal energy decreases
(b) Process B → C	(q) Internal energy increases
(c) Process C → D	(r) Heat is lost.
(d) Process D → A	(s) Heat is gained
	(t) Work is done on the gas.

Ans: (a) → (p, r, t); (b) → (p, r); (c) → (q, s); (d) → (r, t)

A → B: → IBC ⇒ T ↓ as well as V(↓)

⇒ internal energy (↓) as well as work is done on the gas.

also,  $\Delta Q = nC_p \Delta T$ : (-ve) ⇒ (p, r, t) is correct.

B → C: → ICC ⇒  $\Delta W = 0, \Delta T$ : -ve ⇒ internal energy decreases.

also,  $\Delta Q = nC_v \Delta T$ : (-ve) ⇒ (p, r) is correct.

C → D: → IBE, V(↑)

⇒ work done by the gas. also T(↑) ⇒ internal energy increases.

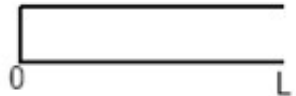
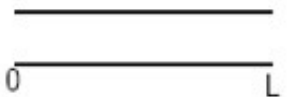

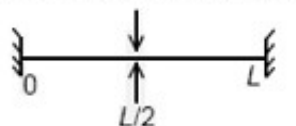
also,  $\Delta Q = nC_p \Delta T$ : (+ve) ⇒ (q, s) is correct.

D → A: →  $T_A = T_D$  ⇒  $\Delta T = 0$  ⇒  $\Delta U = 0$  V(↓) = work done on the gas.

We have,  $\Delta Q = \Delta W + \Delta U$ ; ⇒  $\Delta Q = (-ve) + 0 = (-ve)$

⇒ (r, t) is correct

40. **Column I** shows four system, each of the same length  $L$ , for producing standing waves. The lowest possible natural frequency of a system is called its fundamental frequency, whose wavelength is denoted as  $\lambda_1$ . Match each system with statements given in **Column II** describing the nature and wavelength of the standing waves.

Column I	Column II
(A) Pipe closed at one end 	(p) Longitudinal waves
(B) Pipe open at both ends 	(q) Transverse waves
(C) Stretched wire clamped at both ends 	(r) $\lambda_f = L$
(D) Stretched wire clamped at both ends and at mid-point 	(s) $\lambda_f = 2L$ (t) $\lambda_f = 4L$

Ans : A  $\rightarrow$  (p,t), B  $\rightarrow$  (p,s), C  $\rightarrow$  (q,s), D  $\rightarrow$  (q,r)

A  $\rightarrow$  Longitudinal standing wave also,  $(\lambda_f / 4) = L \Rightarrow \lambda_f = 4L \Rightarrow$  (p,t) is correct

B  $\rightarrow$  Longitudinal standing wave also,  $(\lambda_f / 2) = L \Rightarrow \lambda_f = 2L \Rightarrow$  (p,s) is correct

C  $\rightarrow$  Longitudinal standing wave also,  $(\lambda_f / 2) = L \Rightarrow \lambda_f = 2L \Rightarrow$  (q,s) is correct

D  $\rightarrow$  Longitudinal standing wave also,  $(\lambda_f / 2) + (\lambda_f / 2) = L \Rightarrow \lambda_f = L \Rightarrow$  (q,r)